



Intellectual
Property
Office

Certificate of Registration for a UK Design

Design number: 6523096

Grant date: 12 May 2026

Registration date: 29 April 2026

This is to certify that,

in pursuance of and subject to the provision of Registered Designs Act 1949, the design of which a representation or specimen is attached, had been registered as of the date of registration shown above in the name of

Naveen Reddy Burremukku

in respect of the application of such design to:

Intelligent Multi-Layer Flood Monitoring Device

International Design Classification:

Version: 15-2025

Class: 10 CLOCKS AND WATCHES AND OTHER MEASURING INSTRUMENTS, CHECKING AND SIGNALLING INSTRUMENTS

Subclass: 04 OTHER MEASURING INSTRUMENTS, APPARATUS AND DEVICES

Adam Williams

Comptroller-General of Patents, Designs and Trade Marks

Intellectual Property Office

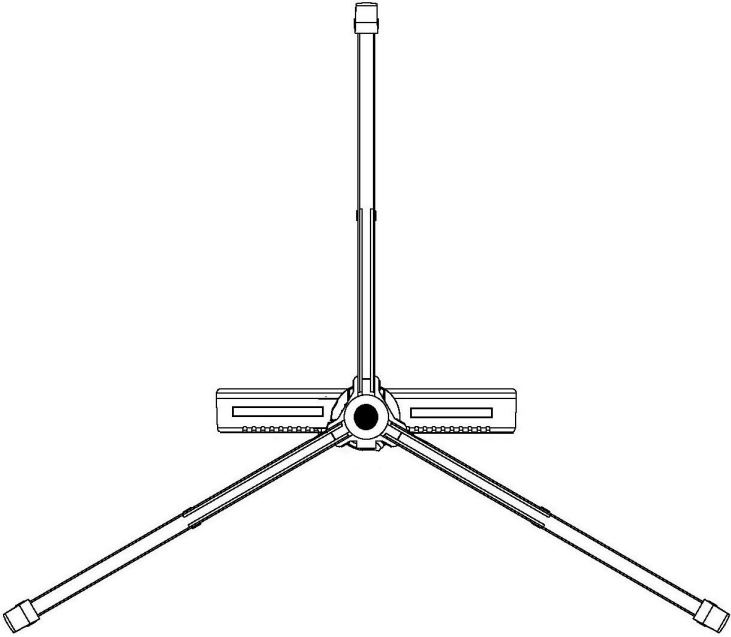
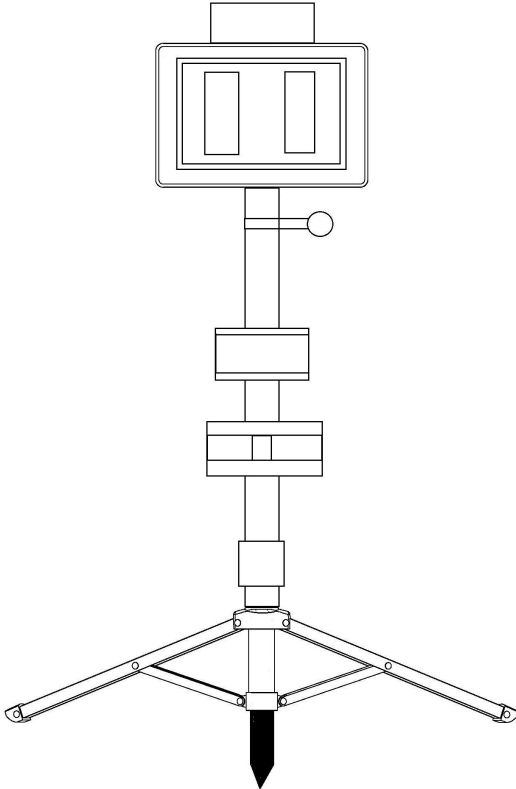
The attention of the Proprietor(s) is drawn to the important notes overleaf.

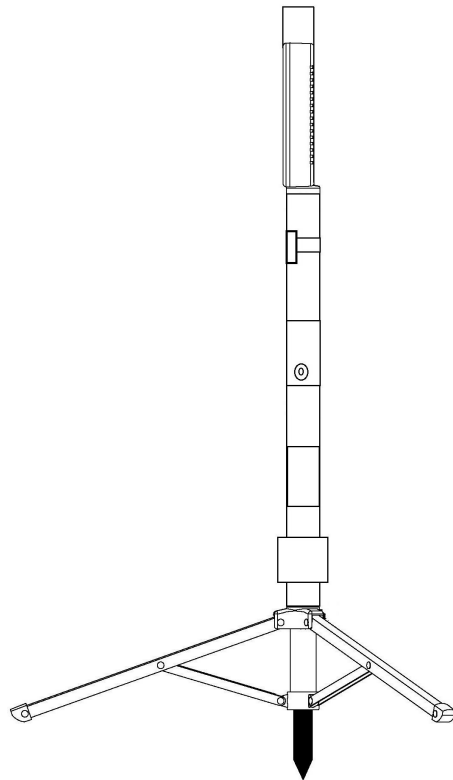
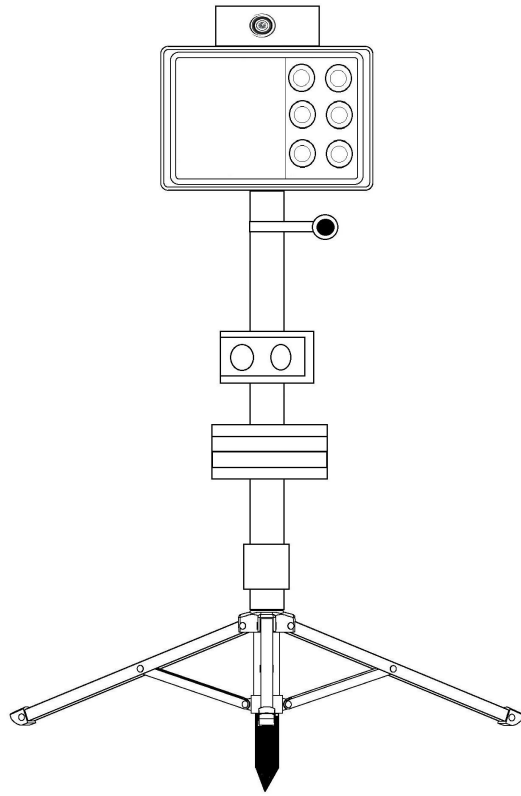


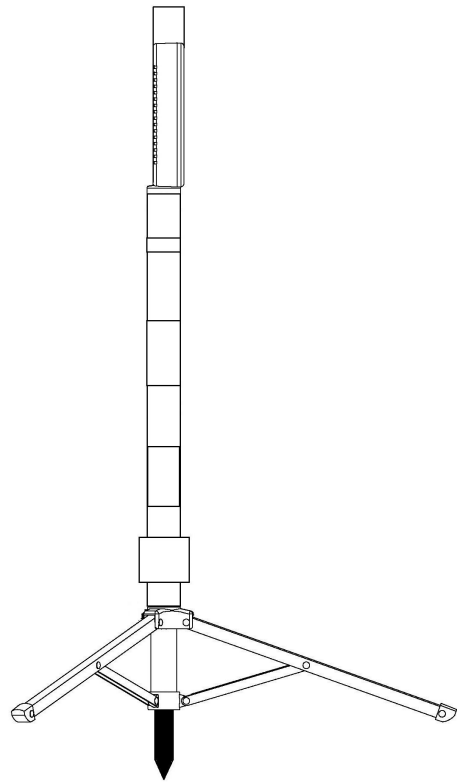
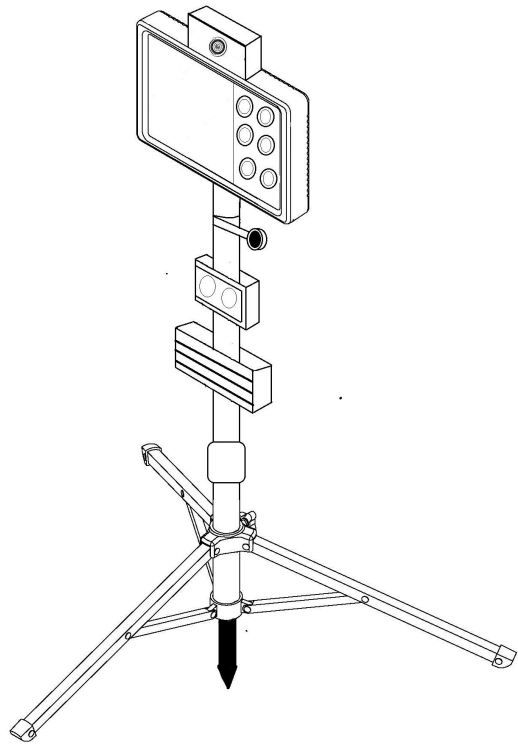
Intellectual Property Office is an operating name of the Patent Office

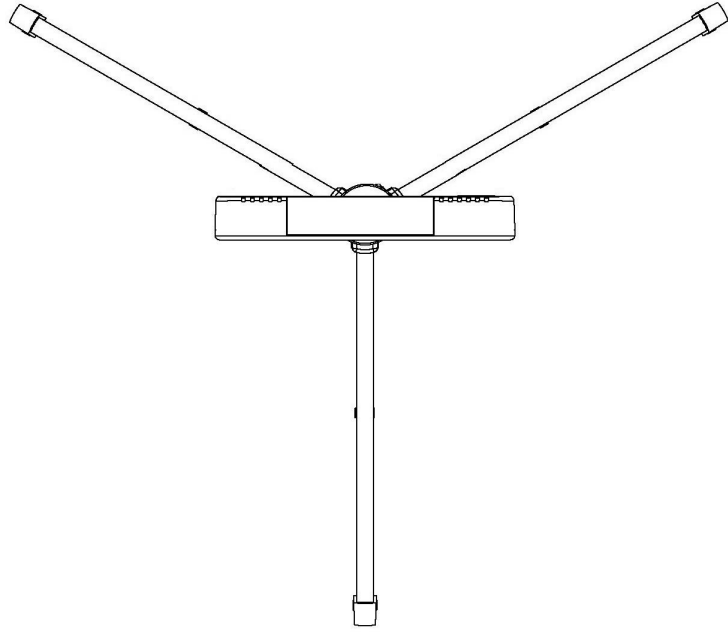
www.gov.uk/ipo

Representation of Designs









Intellectual Property Office is an operating name of the Patent Office

www.gov.uk/ipo