



Intellectual  
Property  
Office

# Certificate of Registration for a UK Design

Design number: 6459103

Grant date: 24 July 2025

Registration date: 21 July 2025

## This is to certify that,

in pursuance of and subject to the provision of Registered Designs Act 1949, the design of which a representation or specimen is attached, had been registered as of the date of registration shown above in the name of

Dr. Vinesh Thiruchelvam, Dr. Sivakumar Sivanesan, Dr. Mukil Alagirisamy, Dr.

Sathish Kumar Selvaperumal, Dr. Veerendra Dakulagi, Dr Rangaswamy

Yaliyappa, Hunasavadi Siddaramaiah Jagadeesh, Shashidhara Kothalavady

Shivarudraswamy

in respect of the application of such design to:

Signal Processing Device

International Design Classification:

Version: 15-2025

Class: 14 RECORDING, TELECOMMUNICATION OR DATA PROCESSING EQUIPMENT

Subclass: 03 TELECOMMUNICATIONS EQUIPMENT, WIRELESS REMOTE CONTROLS AND RADIO AMPLIFIERS

### **Adam Williams**

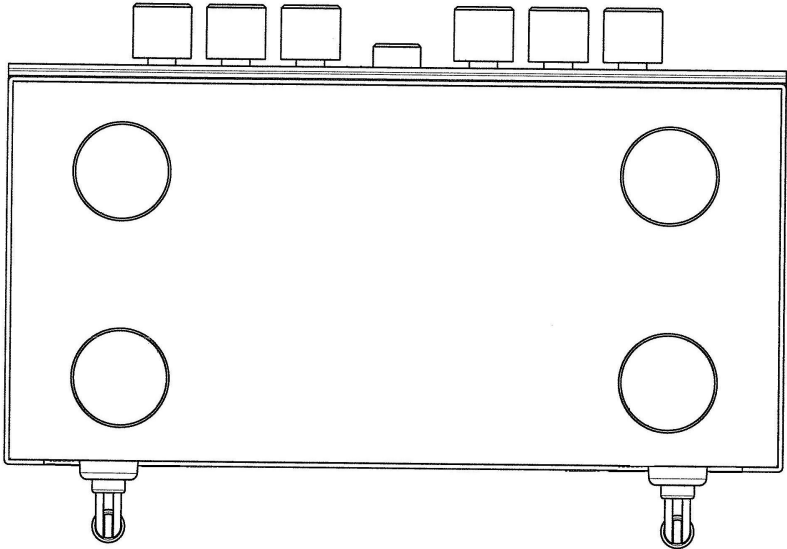
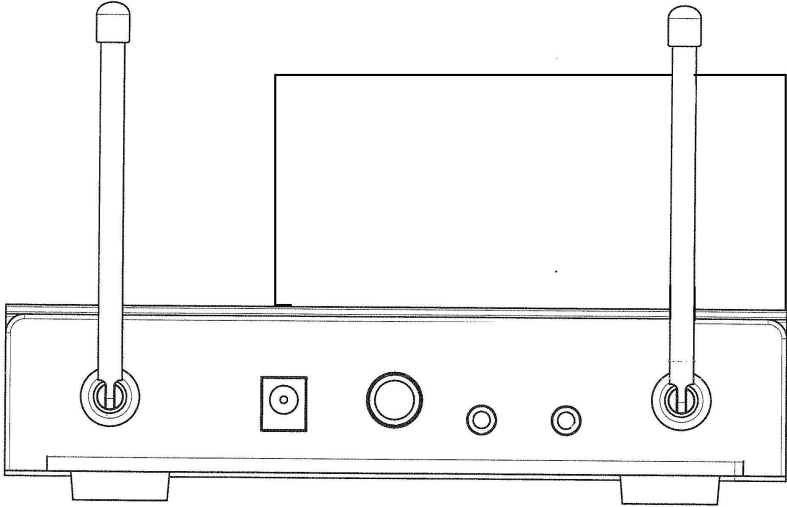
Comptroller-General of Patents, Designs and Trade Marks

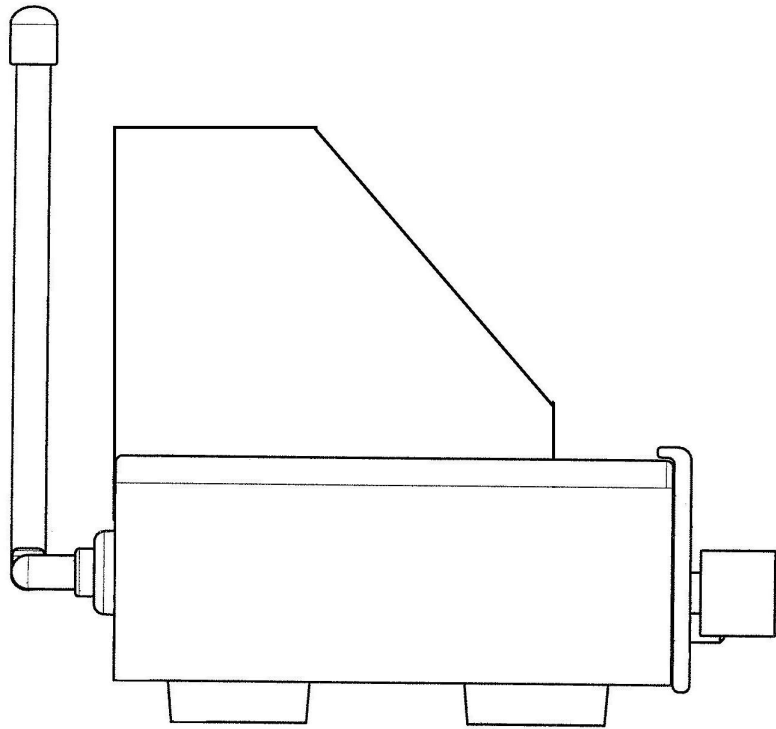
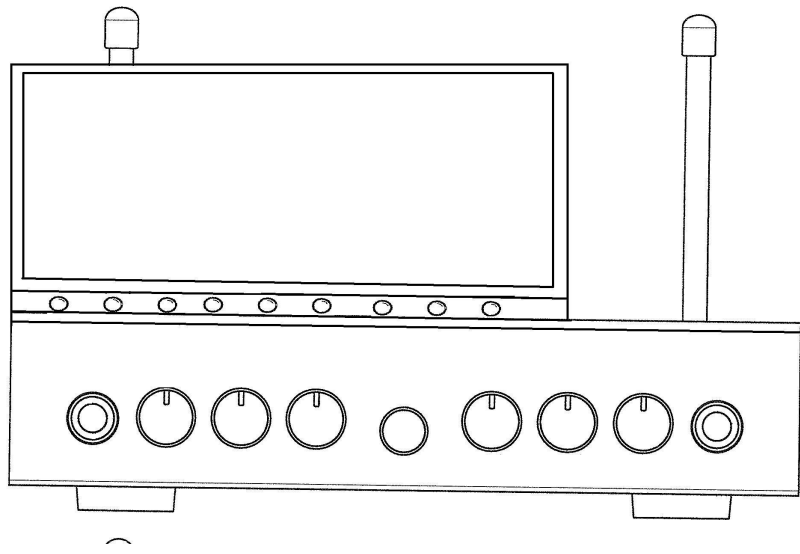
Intellectual Property Office

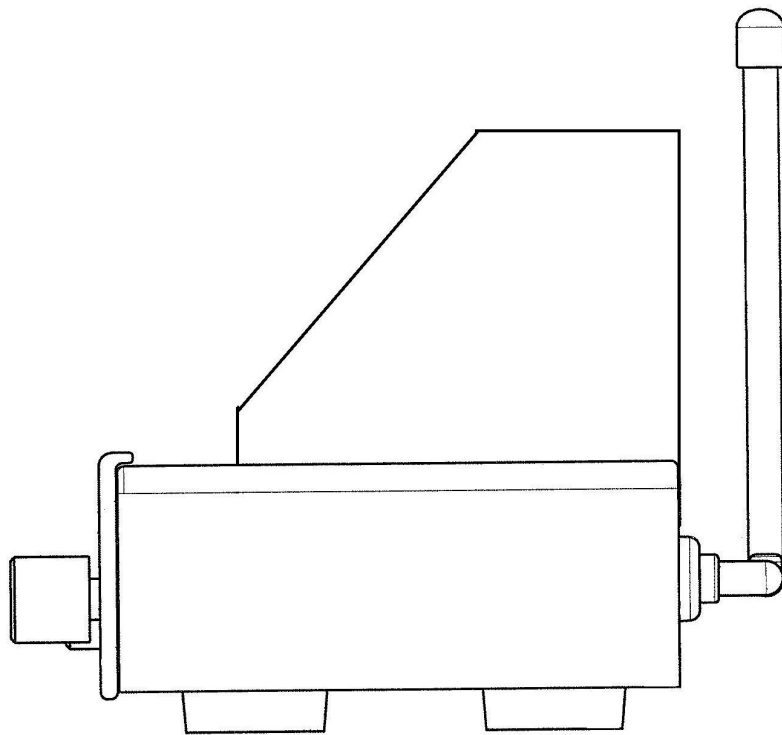
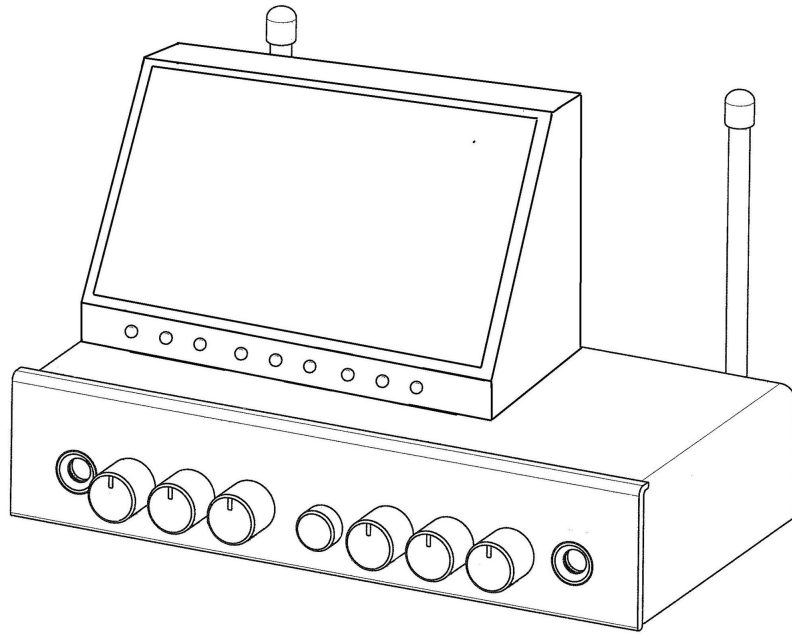
The attention of the Proprietor(s) is drawn to the important notes overleaf.

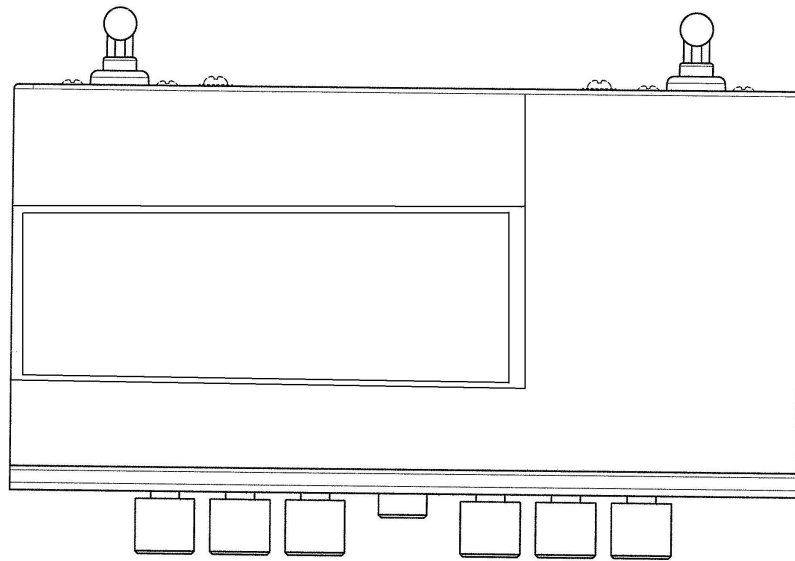


Representation of Designs









Intellectual Property Office is an operating name of the Patent Office

[www.gov.uk/ipo](http://www.gov.uk/ipo)